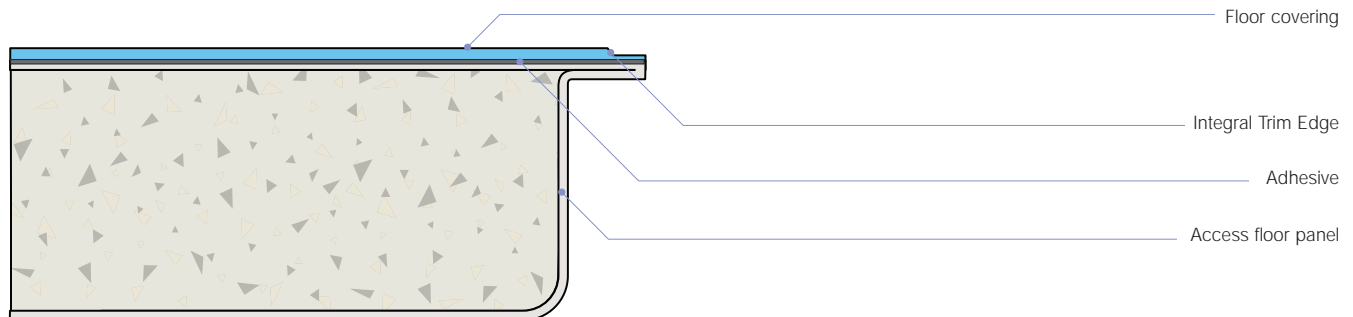


Integral Trim® Edge



Integral Trim®

System Highlights

- Superior wear resistance - trim will not detach, chip or crack
- Efficient static control
- Decorative edge is routed into the HPL, exposing its colored core
- Requires minimal maintenance - damp mop only no waxing necessary

Benefits

Durable

- The patented Tate Integral Trim is machine directly into the high pressure laminate (HPL) for a thin line permanent edge
- Edge performs under dynamic rolling load conditions and will not chip, crack or displace

Visually Appealing

- Ten color HPL patterns are available in 1/16" and 1/8" thickness

Economical

- Cost effective alternative to laminate panels with separate trim pieces

Static Control

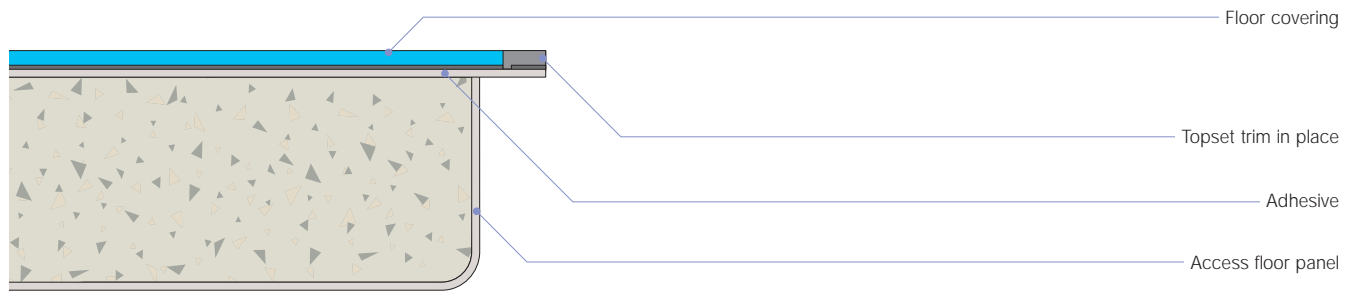
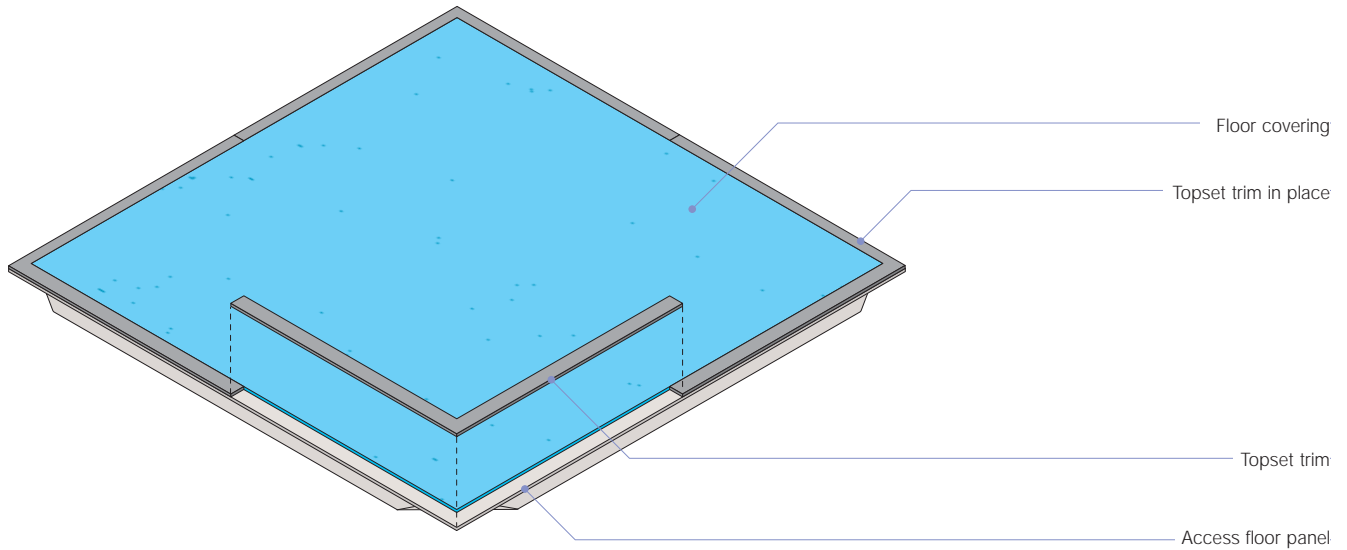
- Available in both standard and conductive HPL for use in equipment rooms, computer rooms, electronic assembly facilities, and areas with frequent or heavy rolling loads such as corridors

To Specify Integral Trim Tile:

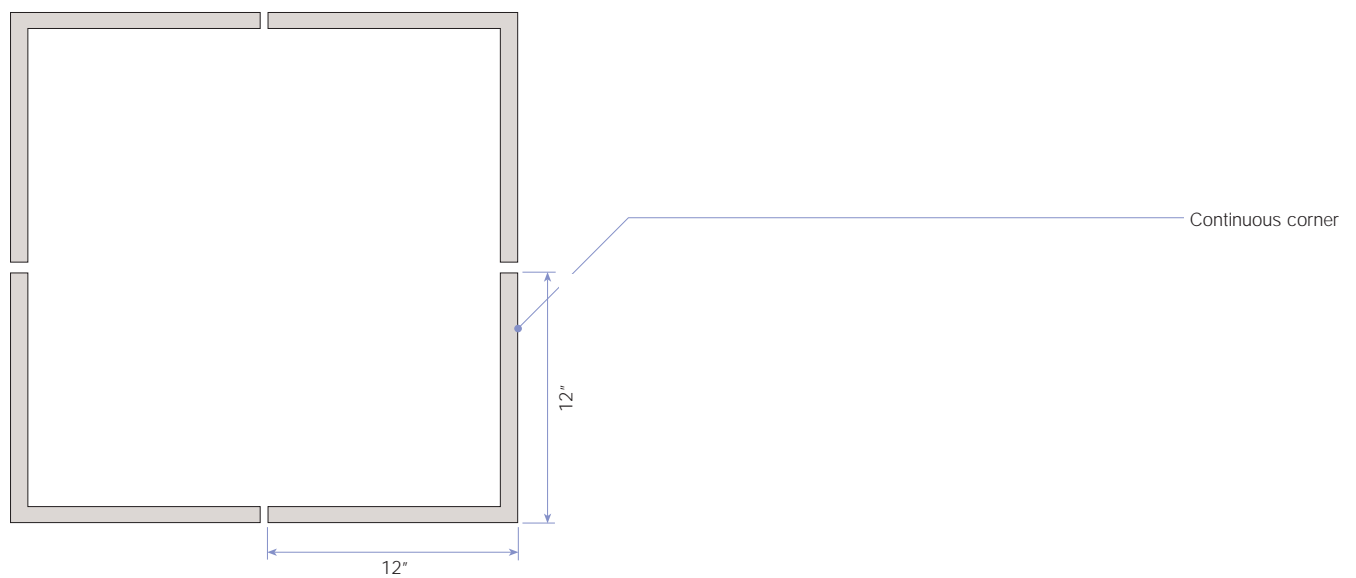
- Section 10270 - Floor Panel Covering

Standard Laminate: ANSI/NEMA LD3, High-Wear Type, Grade HW 62 or HW 120, selected from manufacturer's full range of colors, shall be fabricated in one piece to cover entire panel face with Integral Trim serving as edging. Tile edge shall be routed to reveal colored core and shall not be painted. Width of routed edge shall have average dimension of .090 Inches, edge of tile and panel shall be flush within .005 Inches. Laminate with integral trim shall withstand pull stress of 400lbs. and caster loads up to 1000lbs. with no delamination or separation of the covering. Separate edge trim pieces are not acceptable. Standard HPL shall have typical surface to ground resistance values from 1.0 x 10⁶ to 2.0 x 10¹⁰ ohms. Conductive HPL with integral Trim shall have typical surface to ground resistance values of 2.5 x 10⁴ to 1.0 x 10⁶ ohms per NFPA 99 Modified when tested at 500 volts at 50% R.H. and 72°F and a static decay rate of 5000 to 0 V in less than 0.25 sec per FTMS 4046. The electrical resistance shall remain stable over the life of the flooring.

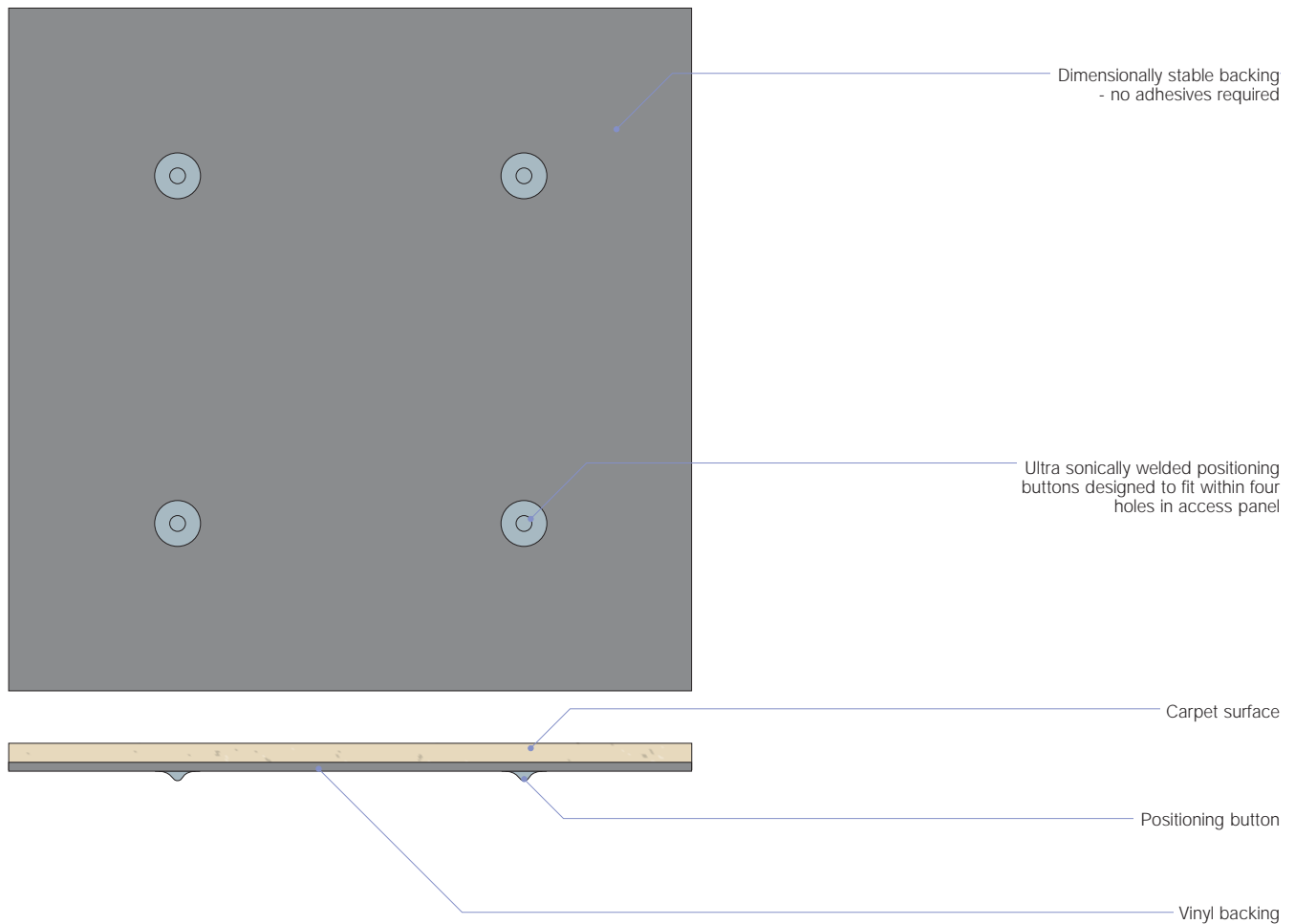
Topset Trim Edge



8 | 2



PosiTile® Bottom View



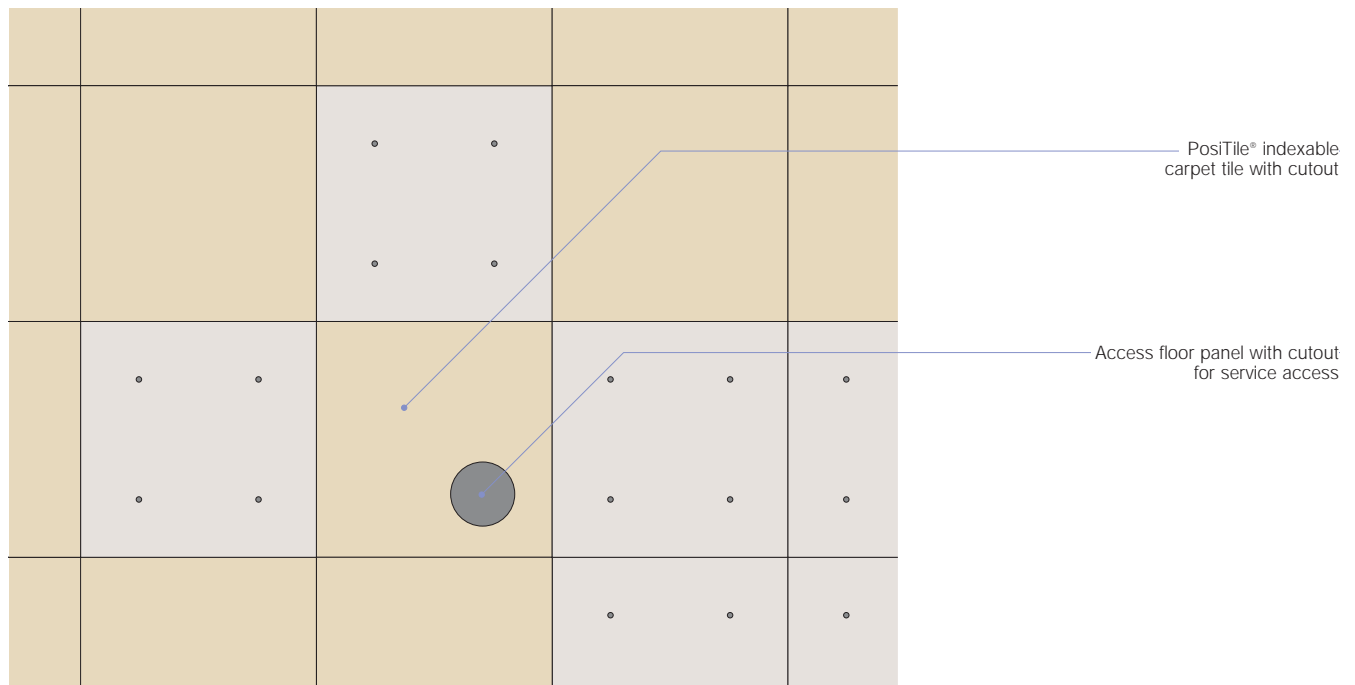
Construction

Dimensionally stable and free laying backing (no adhesives required). Various colors, patterns and textures available.

Construction

Dimensionally stable and free laying backing (no adhesives required). Various colors, patterns and textures available.

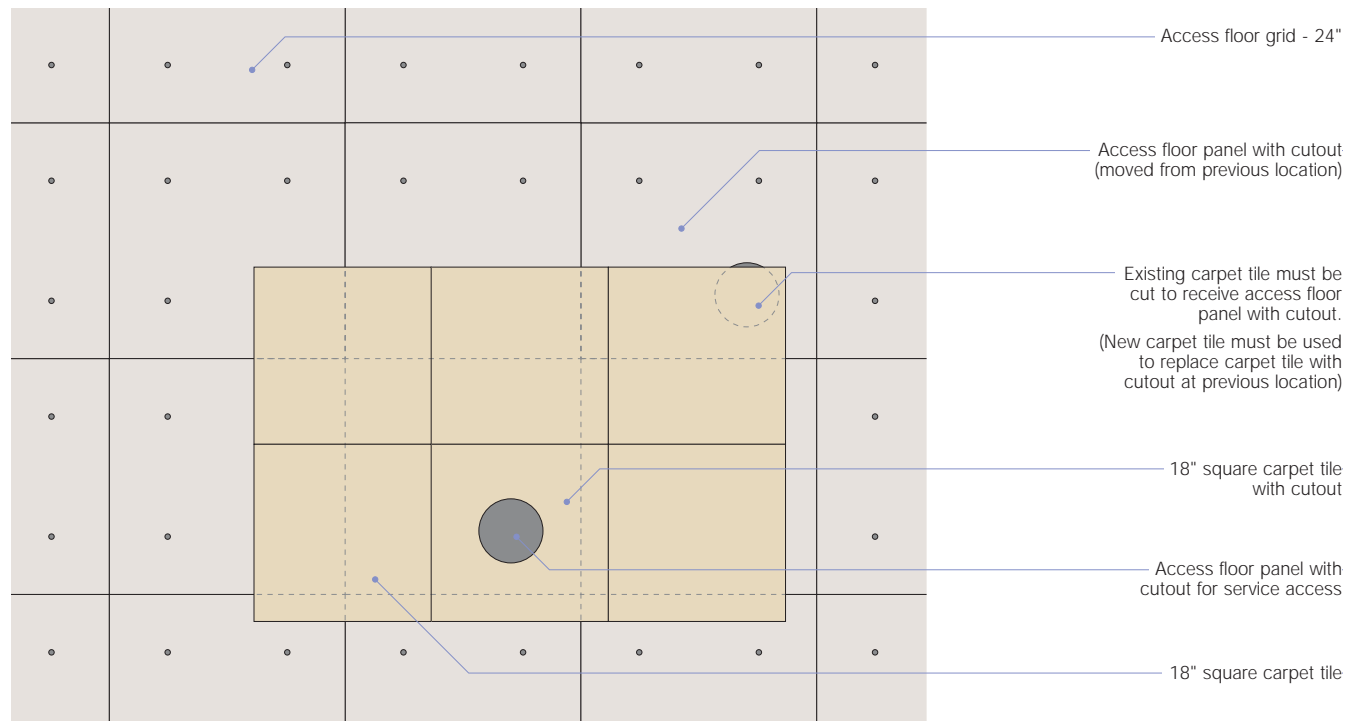
PosiTile® One-to-One Fit



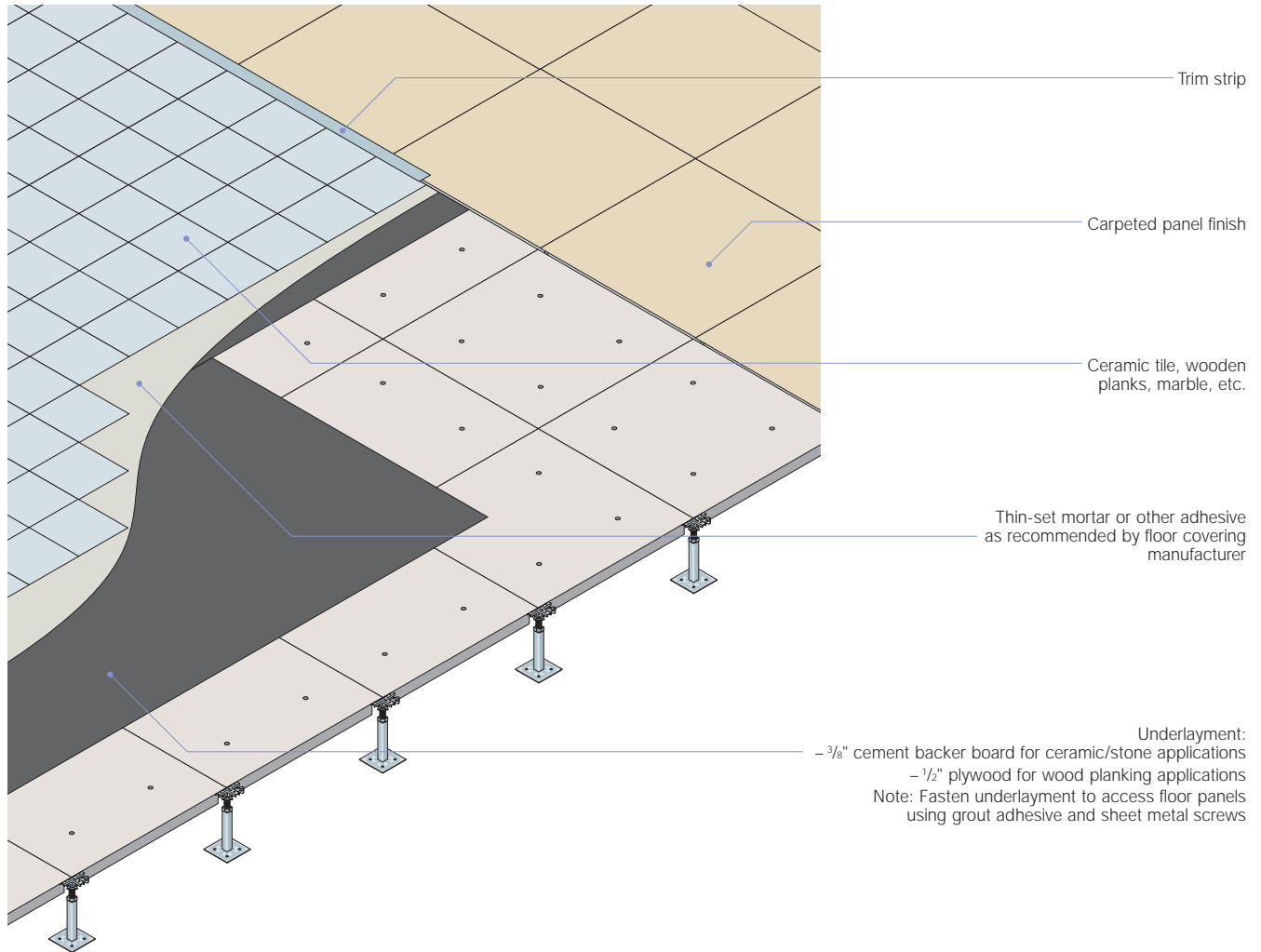
8 | 4

Access floor panel with service cutout and PosiTile® carpet tile can be relocated at any location on the floor plate without carpet waste because of one-to-one fit.

18" Carpet Squares



Speciality Floor Finish Applications for Lobbies, Bathrooms, Cafeterias & Wet Areas



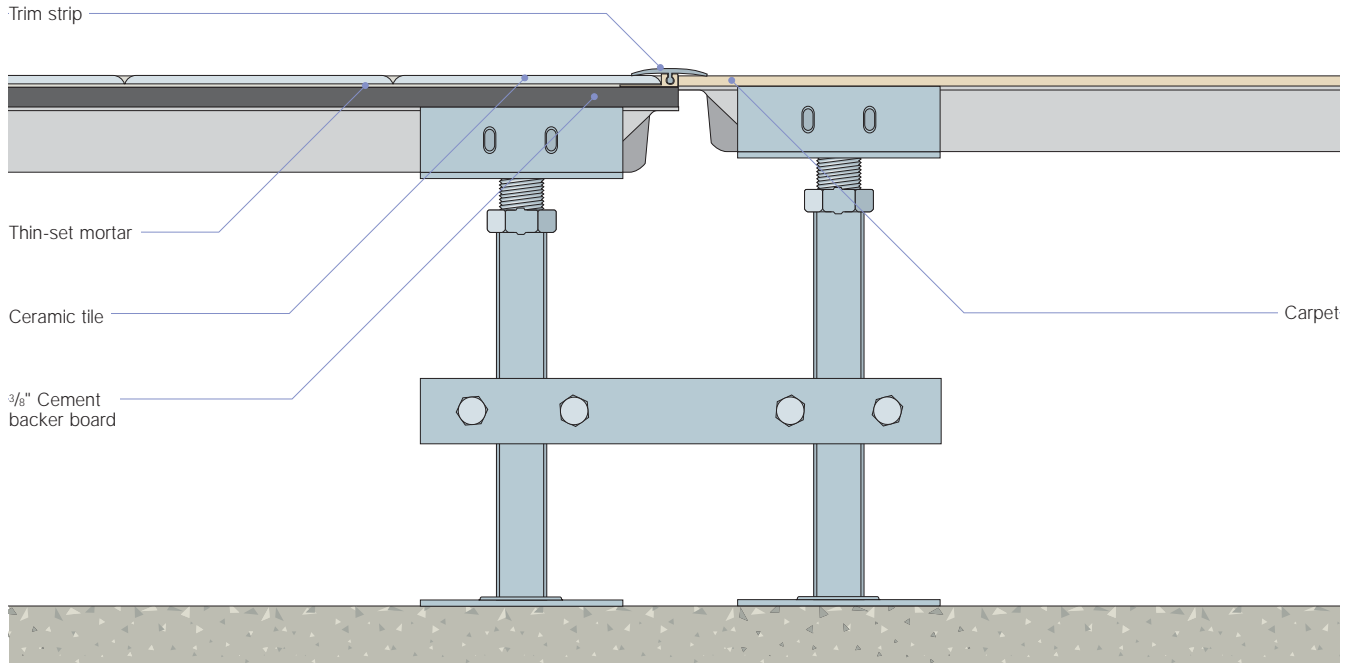
8 | 6

Routinely the need arises, in certain areas of the building, to place a speciality floor finish such as marble, granite, ceramic, wooden planking, etc. on top of an access floor system. Generally these areas (lobbies, bathrooms, cafeterias, wet areas, etc.) do not require complete access or any access to the floor system. When this need arises, consider the following detail.

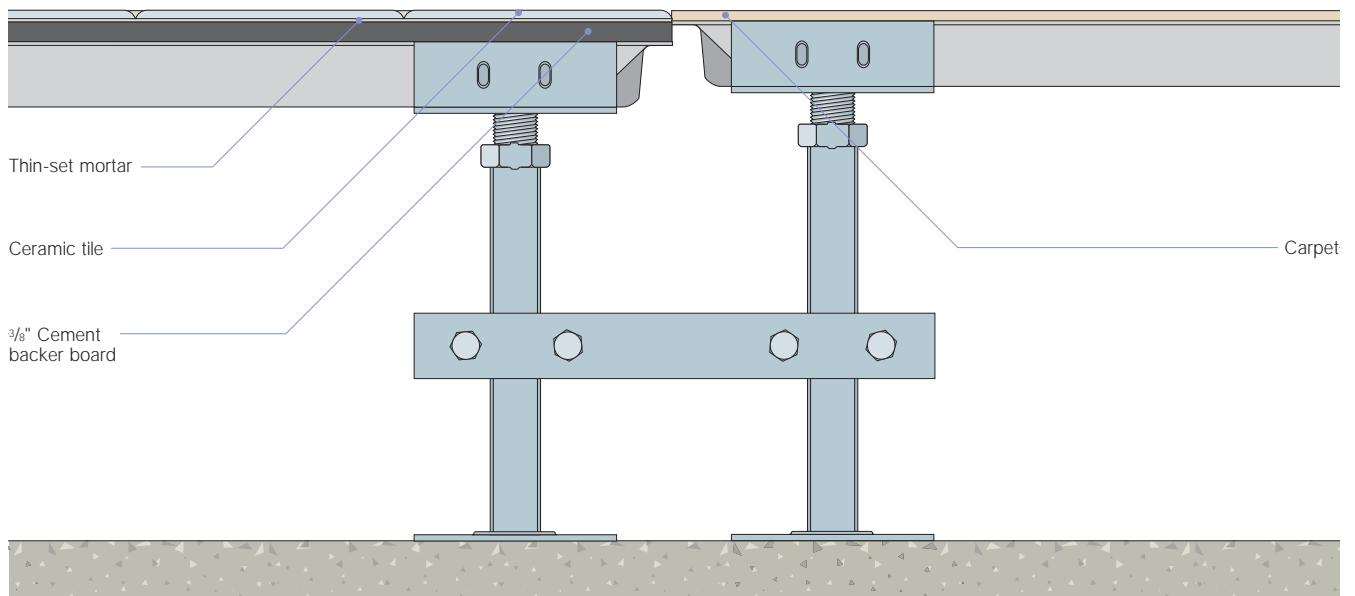
Access floor systems can accommodate a wide range of floor finishes providing a great deal of design choices. Occasionally it may become necessary to abut two different finishes with height differentials that cannot be accommodated with transition trim

strips. Access flooring with its built-in adjustment capability can easily accommodate this situation. The following detail is provided for your consideration

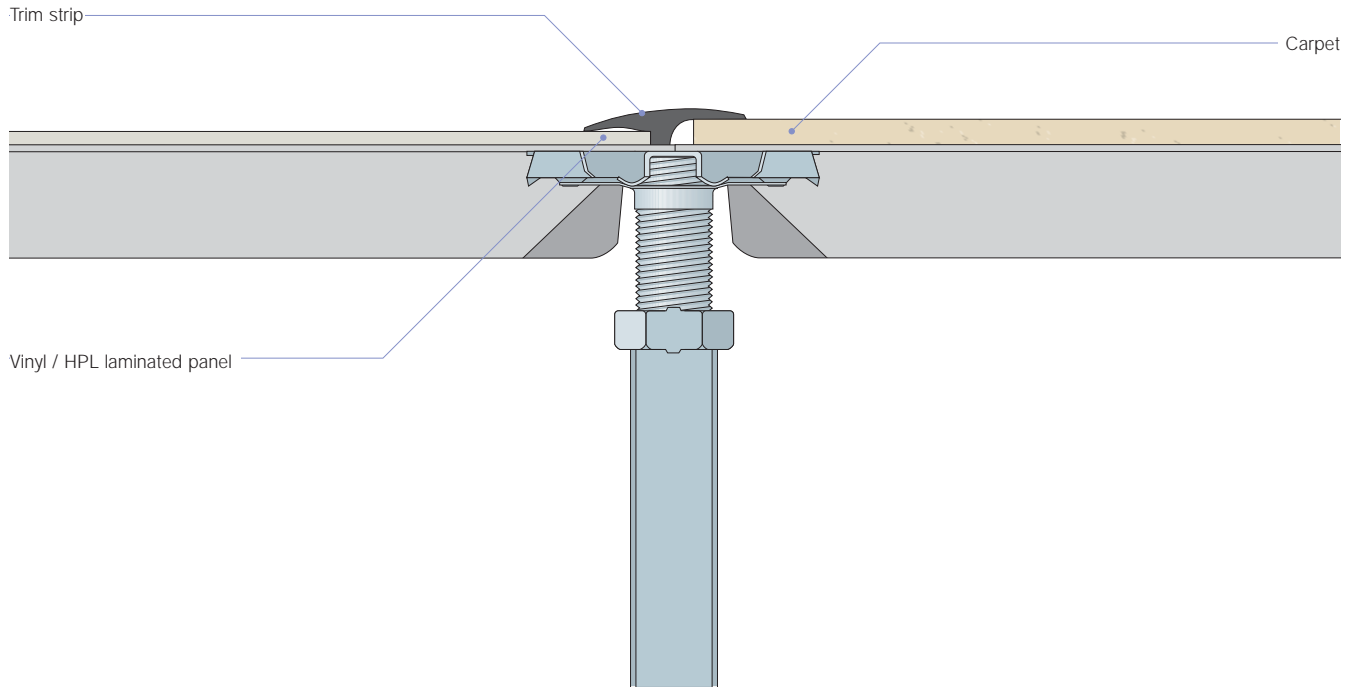
Ceramic - Carpet (with trim strip)



Ceramic - Carpet (without trim strip)



Vinyl / HPL - Carpet (with trim strip)



8 | 8

Vinyl / HPL - Carpet (without trim strip)

